

iREX™

Intelligent Request-to-Exit Detector
with the IQ feature

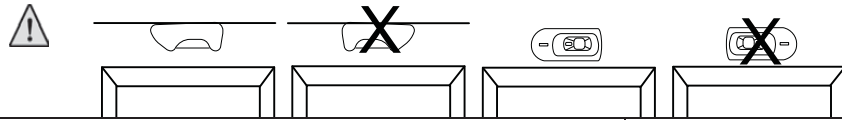


INSTALLATION INSTRUCTIONS

DESCRIPTION

iREX and iREX Plus are PIR detectors specifically designed for request-to-exit (REX) and request-to-enter (REN) applications. The iREX detectors are designed with the IQ feature (Intelligent Queuing) used to remotely enable or disable the iREX. The iREX detectors can be installed as stand alone units or in conjunction with Access Control systems. The iREX can be mounted on both walls and ceilings and are designed with flexible adjustment to cover the specific needs of each secured area.

1. INSTALLATION



IMPORTANT:
The iREX should always be installed with the rounded side of the detector pointing to your left side when you are facing the iREX.

iREX Components:

Adjusting Buzzer Volume:

Masking:

To insert a masking wedge:

To remove a masking wedge:

Masking Coverage:

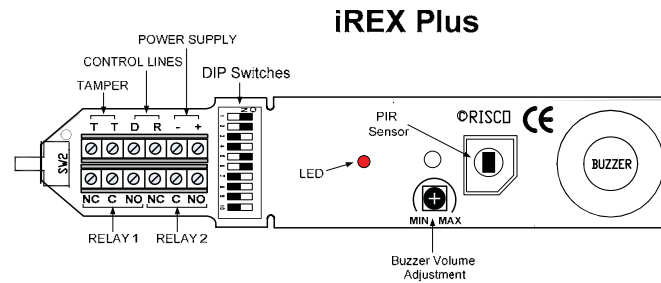
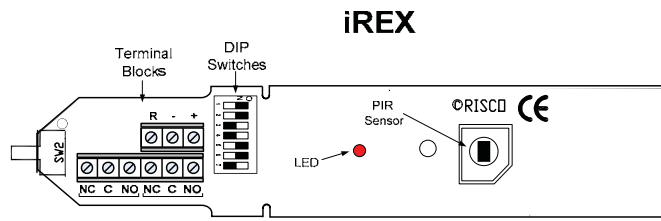
2. MOUNTING AND DETECTION

Wall Mounting 2.3m Position 0	Ceiling Mounting 2.3m Position 0	Wall Mounting 4.6m Position 0	Ceiling Mounting 4.6m Position 0

Wall Mounting 2.3m Position A	Wall Mounting 2.3m Position B

NOTE:
Do not mount the detector in direct sunlight or near heated sources and metal objects.

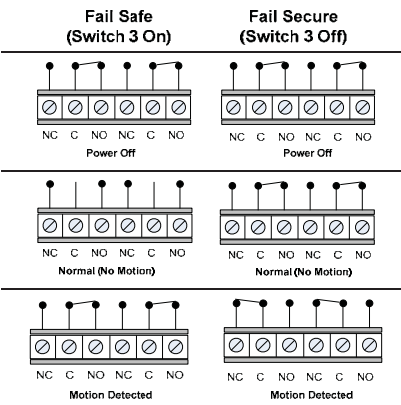
3. WIRING



Note: Conduct a Walk Test at least once a year.
No other maintenance is needed for the product.

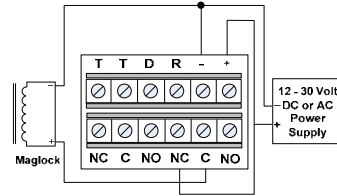
Terminal	Application
"+" "-" Power Connection	Connect to power supply between (+) and (-) terminal. (Voltage must be between 12-30 VAC or DC)

"NC,C,NO" Contact Output Wiring



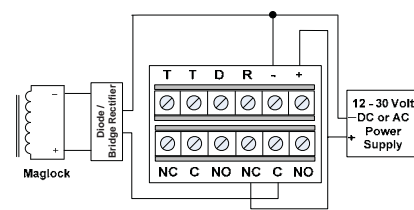
Basic Connection: Magnetic Lock Only

During motion detection, power is removed from the magnetic lock. The relay behaves according to the Fail Safe/Fail Secure definition.

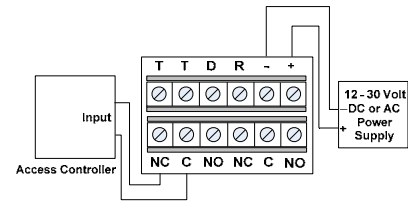


Spike Protection

Add a diode or bridge rectifier for locks that are not spike protected.



Wiring to an Access Control System

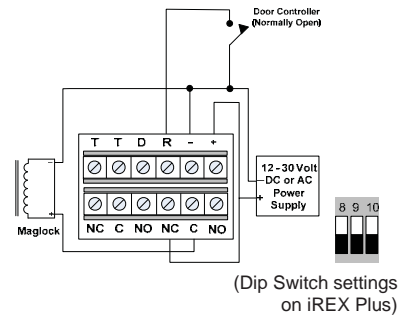


Note: It is recommended to set the Relay Timer Activation to 1/2 second.

"R" Input Terminal Wiring

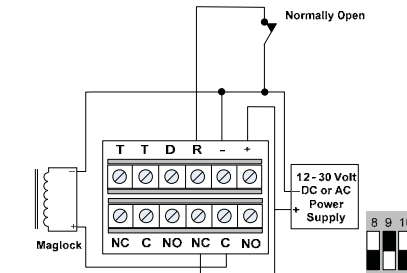
Parallel Door Control (iREX or iREX Plus)

Use to control the door both from the iREX or from an external device (card reader, keypad) usually placed on the other side of the door.



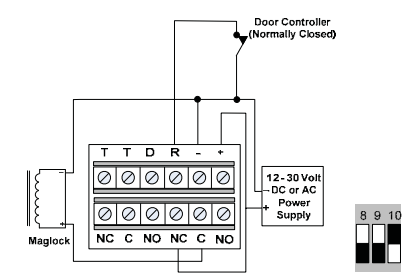
Remote iREX Disable (IQ feature) *

Use the Intelligent Queuing feature to remotely enable or disable the iREX from a remote device (such as a floor switch, additional PIR, Keycard, Burglar alarm system, etc.). The iREX will only activate by motion if the "R" terminal is open, or for 10 seconds after it closes. The iREX is disabled when the "R" input is closed after a delay of 10 seconds.

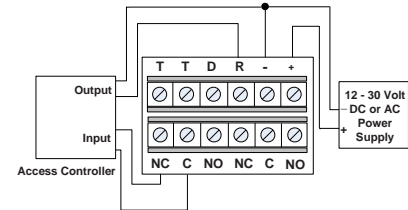


Remote Buzzer Control *

Use this wiring option to control the iREX buzzer from a remote contact. Buzzer is activated while R is open. Turning the buzzer on does not affect the relay.



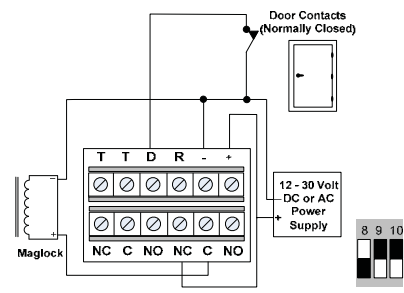
Wiring the Remote Buzzer Control to an Access Control System *



"D" Input Terminal Wiring *

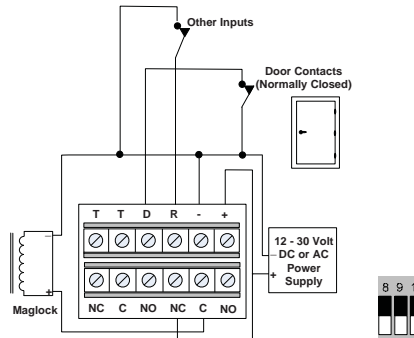
Door Alarm Mode *

If the door is forced open or left open for 10 seconds the buzzer turns on.



Door Secure Mode *

When the iREX is activated but the door remains closed, the relay will drop out after ten seconds. When the iREX is activated and the door is opened and then closed, the relay will drop out after 2 seconds.

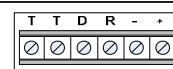


Notes: Relay Timer Mode must be set for at least 16 seconds
The Door Alarm Mode is not to be considered as a UL listed Burglar Alarm System.

"T" Tamper Switch Wiring *

The tamper terminals are connected to the tamper switch, which opens when the cover is opened.

UL NOTE:
To comply with UL Standard 294, connect the tamper terminal to a 24 hour zone in your control panel.



NOTE:
* Available on iREX Plus only

UL NOTE:
Only UL Listed and/or Recognized wire suitable for the application shall be used and the minimum permissible wire size is No. 22 AWG (0.32mm2).

4. DIP SWITCH OPTIONS

Switch	Function	Description																																			
1	LED Operation	ON (default) - LED is activated. The LED turns on when motion is detected. OFF - LED is disabled.																																			
2	Timer Reset Mode	ON (default) - Relay timer resets when motion is detected during the Relay operation time. OFF - Relay timer does not reset when motion is detected during the Relay time.																																			
3	Relay Mode	This switch defines the relay's operation when power is removed from the iREX. OFF (default) - Fail Secure mode. When power is removed from the iREX a locked door will remain locked and secured against opening. (This mode should be authorized by your local authority) ON - Fail Safe mode. When power is removed from the iREX a locked door will unlock and be safely opened. (See Contact Output Wiring)																																			
4, 5, 6	Relay Timer Activation	<table border="1"> <thead> <tr> <th rowspan="2">Relay Timer (seconds)</th> <th colspan="3">Switch</th> </tr> <tr> <th>4</th> <th>5</th> <th>6</th> </tr> </thead> <tbody> <tr> <td>1/2</td> <td>OFF</td> <td>OFF</td> <td>OFF</td> </tr> <tr> <td>1</td> <td>OFF</td> <td>OFF</td> <td>ON</td> </tr> <tr> <td>2</td> <td>OFF</td> <td>ON</td> <td>OFF</td> </tr> <tr> <td>4 (default)</td> <td>OFF</td> <td>ON</td> <td>ON</td> </tr> <tr> <td>8</td> <td>ON</td> <td>OFF</td> <td>OFF</td> </tr> <tr> <td>16</td> <td>ON</td> <td>OFF</td> <td>ON</td> </tr> <tr> <td>32</td> <td>ON</td> <td>ON</td> <td>OFF</td> </tr> </tbody> </table>	Relay Timer (seconds)	Switch			4	5	6	1/2	OFF	OFF	OFF	1	OFF	OFF	ON	2	OFF	ON	OFF	4 (default)	OFF	ON	ON	8	ON	OFF	OFF	16	ON	OFF	ON	32	ON	ON	OFF
Relay Timer (seconds)	Switch																																				
	4	5	6																																		
1/2	OFF	OFF	OFF																																		
1	OFF	OFF	ON																																		
2	OFF	ON	OFF																																		
4 (default)	OFF	ON	ON																																		
8	ON	OFF	OFF																																		
16	ON	OFF	ON																																		
32	ON	ON	OFF																																		
7	Signal Processing	Determines the detector's PIR detection sensitivity to movement. ON - High PIR sensitivity OFF (default) - Low PIR sensitivity.																																			
8, 9, 10	Remote Input Functions (See Wiring options)	<table border="1"> <thead> <tr> <th rowspan="2">Function</th> <th colspan="3">Switch</th> </tr> <tr> <th>8</th> <th>9</th> <th>10</th> </tr> </thead> <tbody> <tr> <td>Parallel Door Control (default)</td> <td>OFF</td> <td>OFF</td> <td>OFF</td> </tr> <tr> <td>Remote Buzzer Control *</td> <td>OFF</td> <td>OFF</td> <td>ON</td> </tr> <tr> <td>Remote iREX Disable *</td> <td>OFF</td> <td>ON</td> <td>OFF</td> </tr> <tr> <td>Door Alarm Mode *</td> <td>OFF</td> <td>ON</td> <td>ON</td> </tr> <tr> <td>Door Secure Mode *</td> <td>ON</td> <td>ON</td> <td>ON</td> </tr> </tbody> </table>	Function	Switch			8	9	10	Parallel Door Control (default)	OFF	OFF	OFF	Remote Buzzer Control *	OFF	OFF	ON	Remote iREX Disable *	OFF	ON	OFF	Door Alarm Mode *	OFF	ON	ON	Door Secure Mode *	ON	ON	ON								
Function	Switch																																				
	8	9	10																																		
Parallel Door Control (default)	OFF	OFF	OFF																																		
Remote Buzzer Control *	OFF	OFF	ON																																		
Remote iREX Disable *	OFF	ON	OFF																																		
Door Alarm Mode *	OFF	ON	ON																																		
Door Secure Mode *	ON	ON	ON																																		

NOTE:

* Available on iREX Plus only

TECHNICAL SPECIFICATIONS

Power	
Voltage	12-30 Volts DC or AC
Current Consumption	8mA standby, iREX: 30mA max (Relay+LED), iREX Plus: 50mA max at 12/24 VDC (including Buzzer)
Relay Output Rating	1A @ 30 volts DC or AC, two form "C" contacts
Tamper Output Rating	50mA @ 30 volts DC or AC
Buzzer Output (iREX Plus)	85dB with adjustable volume
Output Level at 10ft	69dBA
Detection System	
Mounting Height	2.3m - 4.6m (7.5ft - 15ft)
Detection range Width	From 0.6m (2ft) up to 2.4m (7.9ft)
Physical	
Dimensions (LxHxD)	177mm x 50mm x 45mm
Weight	150g
Color	Black or White
Environmental	
Radio Frequency Interference (RFI) Immunity	30 V/m from 10 MHz to 2 GHz
Operating Temperature	-20°C to 55°C (-4°F to 131°F)
Storage Temperature	-20°C to 60°C (-4°F to 140°F)
Humidity	Up to 75%

Note: For indoor use only.

ORDERING INFORMATION

Model	Description
iREX 700	iREX Request-to-Exit PIR White/Black
iREX 700P	iREX Plus Request-to-Exit PIR White/Black

For UL Standard 294 Compliance:

- RFI is not verified by UL
- IQ remote feature is UL listed when it is controlled by Access Control units and not burglar alarm units.
- NFPA 101 requires the use of Fail Safe relay mode. Fail Secure relay mode should be used where accepted under Local Authority jurisdiction.
- Setting of low sensitivity at the mounting height of 15ft and 8.5ft may affect the maximum range.
- Wiring methods shall be in accordance with the National Electrical Code (ANSI/NFPA70), local codes, and the authorities having jurisdiction.
- If a fail-secure lock is employed, UL Listed panic hardware must be used to allow exit from the protected area.
- All interconnected devices must be UL Listed.
- Unit must be installed indoors within the protected premises.
- The unit must be powered by a UL294 Listed Access Control, Power Limited, power supply capable of 4 hour standby.

RISCO Group Limited Warranty

RISCO Group and its subsidiaries and affiliates ("Seller") warrants its products to be free from defects in materials and workmanship under normal use for 24 months from the date of production. Because Seller does not install or connect the product and because the product may be used in conjunction with products not manufactured by the Seller, Seller can not guarantee the performance of the security system which uses this product. Seller's obligation and liability under this warranty is expressly limited to repairing and replacing, at Seller's option, within a reasonable time after the date of delivery, any product not meeting the specifications. Seller makes no other warranty, expressed or implied, and makes no warranty of merchantability or of fitness for any particular purpose. In no case shall Seller be liable for any consequential or incidental damages for breach of this or any other warranty, expressed or implied, or upon any other basis of liability whatsoever. Seller's obligation under this warranty shall not include any transportation charges or costs of installation or any liability for direct, indirect, or consequential damages or delay. Seller does not represent that its product may not be compromised or circumvented; that the product will prevent any persons; injury or property loss by intruder, robbery, fire or otherwise; or that the product will in all cases provide adequate warning or protection. Buyer understands that a properly installed and maintained alarm may only reduce the risk of intruder, robbery or fire without warning, but is not insurance or a guaranty that such will not occur or that there will be no personal injury or property loss as a result. Consequently seller shall have no liability for any personal injury, property damage or loss based on a claim that the product fails to give warning. However, if seller is held liable, whether directly or indirectly, for any loss or damage arising from under this limited warranty or otherwise, regardless of cause or origin, seller's maximum liability shall not exceed the purchase price of the product, which shall be complete and exclusive remedy against seller. No employee or representative of Seller is authorized to change this warranty in any way or grant any other warranty.

WARNING: This product should be tested at least once a year.

Contacting RISCO Group

RISCO Group is committed to customer service and product support. You can contact us through our website (www.riscogroup.com) or at the following telephone and fax numbers:

United Kingdom Tel: +44-161-655-5500 technical@riscogroup.co.uk	USA Tel: +1-631-719-4400 support-usa@riscogroup.com	Poland Tel: +48-22-500-28-40 support-pl@riscogroup.com
Italy Tel: +39-02-66590054 support@riscogroup.it	Belgium Tel: +32-32-2522 7622 support-be@riscogroup.com	Israel Tel: +972-3963-7777 support@riscogroup.com
Spain Tel: +34-91-490-2133 support-es@riscogroup.com	Brazil Tel: +1-866-969-5111 support-br@riscogroup.com	France Tel: +33-164-73-28-50 support-fr@riscogroup.com
	China Tel: +86-21-52-39-0066 support-cn@riscogroup.com	

