

5 star Hotel Solution

June/02/2015

Temic card Lock system introduction

1),Preface:

It is designed to satisfy the hotel lock management. The Temic card is used as the key-card for the door lock.

2), Illustration for hotel solution with Temic card:

software —encoder— card —hotel lock---energy saver---data collector---software , as below picture



3), Lock picture:



4)Features and Specifications:

- High security lockset with a full 1-inch deadbolt, 3/4-inch anti-pick latch for added strength and 2 piece anti-friction latch.
- High quality SUS304 stainless steel construction with stainless steel handles with stainless steel or PVD finish.
- Self lubrication long life bearings tested to withstand more than 500,000 openings without visible sign of wear.
- ANSI 8# mortise.
- Modular components for flexibility and easy maintenance.
- "Panic release" - deadbolt and latch are automatically retracted by inside handle.
- Sealed electronics located on the inside of the door, enhance security and durability.
- Automatic deadbolt option.
- Unique emergency Recodable Cylinder option for mechanical override.
- Standard AA-battery-operated, stand-alone locks require no wiring.

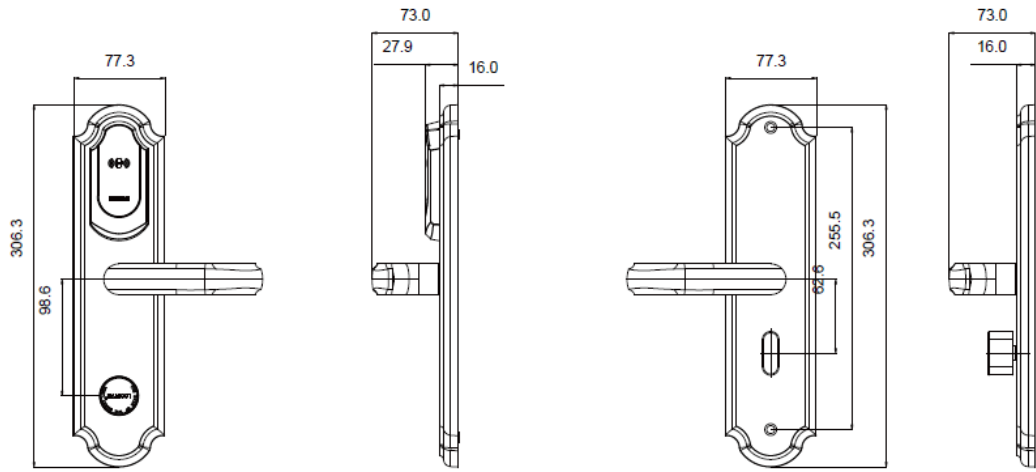
- Low battery report

1. Electronic hotel lock unlock via RF card and mechanical in emergency;
2. Smart hotel key card lodging system, promote the hotel room management efficiency and reduce its costs ;
3. ANSI Five-latches mortise, deadbolt function, high security;
4. Stainless steel lock body, weatherproof, suitable for coast area, rain-belt;
5. 4 pcs AA battery(6V). Low battery alert function, when the battery is below 4.8V, the lock will alarm;
6. Popular finishes in silvery &PVD gold, fadeless;
7. Mechanical key in emergency;
8. Door thickness requirement: above 35mm (35mm-65mm);
9. Hotel management software free of charge, the software can be used for different country with English language.

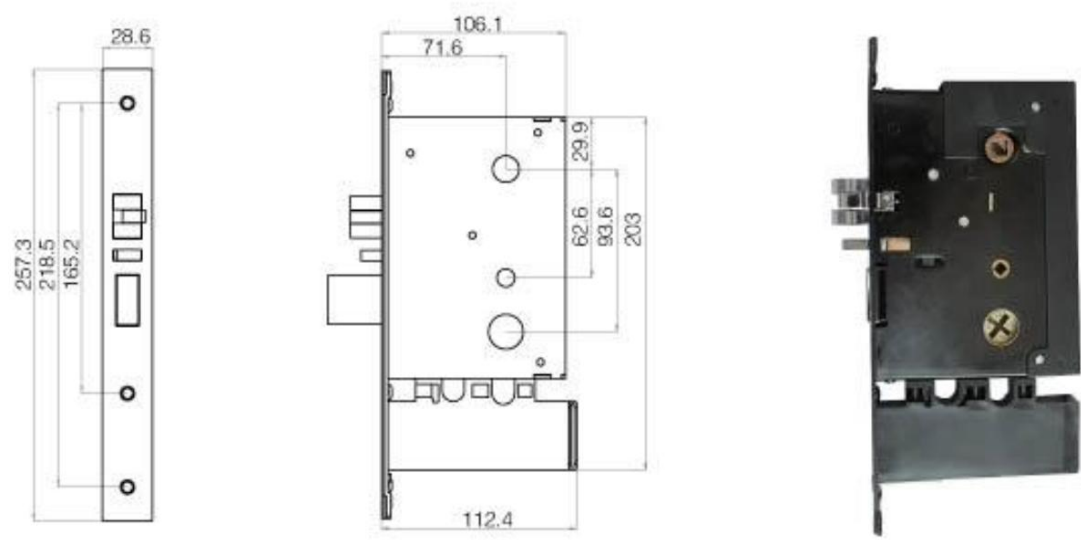
5) Technical Parameters:

Model No.	LS-8101-RF16-PVD
Lock type	Temic hotel Lock
Lock open solution	Temic T5557 RF intelligent card, Mechanical key
International Standard	ISO14443-A, ISO11784/785
Encrypting Elements	48 bits card special logic key encrypting and system data DES encrypting 32 bits card special logic key encrypting and system data DES encrypting
Working Consumption	≤200mA working ≤0.2 seconds
Static consumption	≤25u A, ≤15u A
Working Temperature	0°C--70°C
Battery unlocking lift	≥10000 times
Reliability	≥30000 times
Mechanical life	≥500,000 times
Battery	4 pieces of 5# normal battery (6V)
Low voltage alarm level	4.8V(6V power supply)
Panel size	306.3*77.3*16mm
Mortise size	257.3x112.4x28.6mm

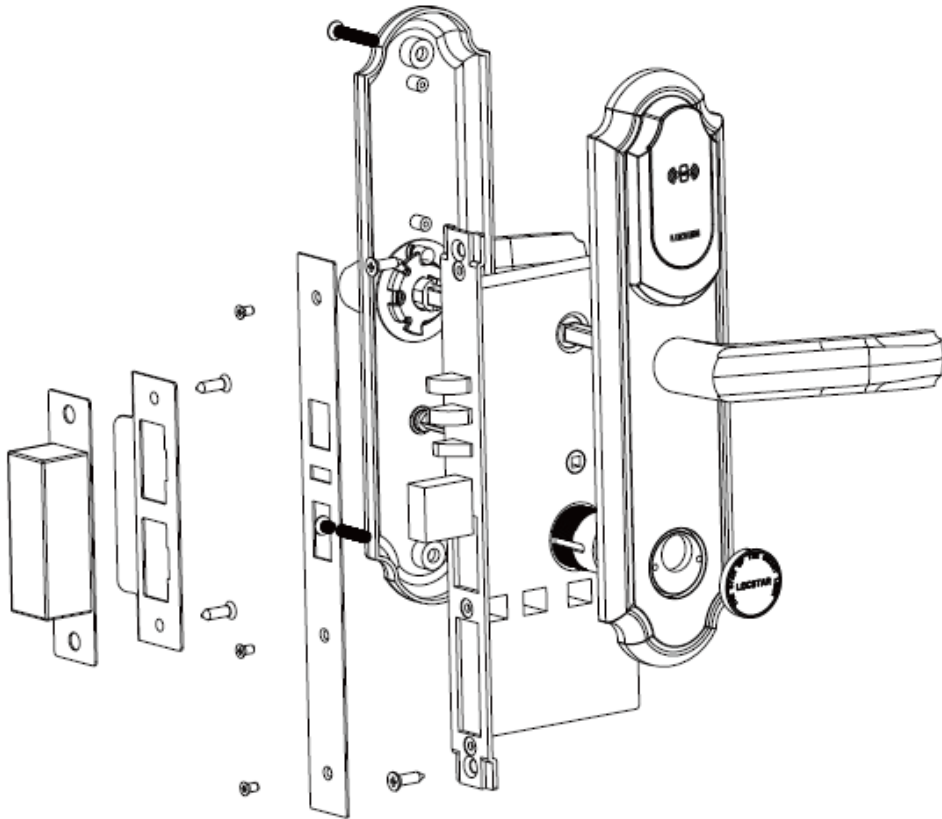
6) Panel size illustration:



7) Mortise size Illustration:

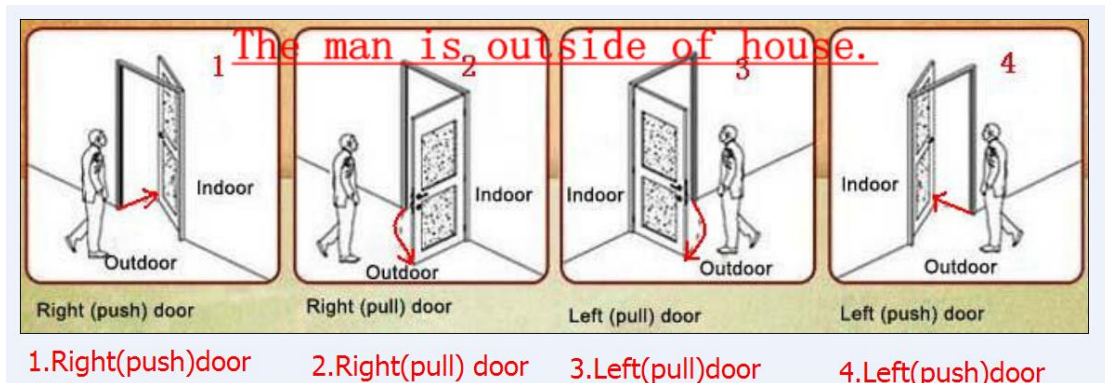


8) Install instruction:



LS-8101-RF16-8#3509

Door open direction for lock handle direction and mortise install direction:



9)Card function:

No.	Card type	Function
1	Authorization card	are basic setting cards ,all new locks after installation on door must be set by this three cards first.
2	Clock card	
3	Room setting card	
4	seal card	seal the unused rooms
5	stop card	stop the function of guest room card

6	check-out card	stop the function of guest room card when guest would like to check out ahead of schedule or the
7	Frequency open card	Set the lock in the long unlocking state.
8	Alarm card	set alarm function, when the lock in the condition of false locking and uncompleted locking
9	No disturbing card	set no disturbing function in the condition of deadbolt
10	Master card	Can open all the doors in one hotel , don't limited on deadbolt and time. Usually ,the general manager hold this card.
11	Emergency card	open the door in the emergency condition and keep lock on the long-unlocking state.Usually ,the manager hold this card
12	Building card	Can open all the doors in a certain building ,limited on deadbolt and time.Usually,the manager hold this card.
13	Floor card	Can open all the doors in a certain floor ,limited on deadbolt and time. Usually ,the foremen hold this cards
14	House keeping card	can open all the doors in a certain clean -rooms.Usually,the clean staff hold this card
15	Guest room card	open the certain guest room.guest hold this card.

10) Confirm the accessory

Item	Remarks
Quantity of the door lock	Quantity of the guest room+ related office room number, the left or the right door, as well as the thickness of the door.
Quantity of the card	Generally, it is the 3 times of the door--Locks.
Quantity of the encoder	Each place of the card-forwarder need one,1 extra spare.
The matched accessory	According to the management, can choose the matched switch,elevator controller,coffer,fingerprint lock,ect.
Others	If any other special requirements, we can provide customer-tailor service to the hotels.