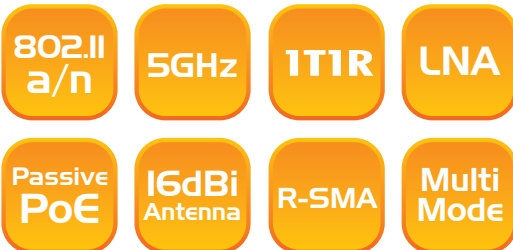


AirMax5N

802.11a/n 1T1R Wireless Outdoor CPE

- 1T1R 150Mbps
- IEEE 802.11a/n
- Runs from 5.1GHz to 5.8GHz Spectrum
- 2 x 10/100 Ethernet Ports with One Passive PoE Port
- Built-in 16dBi Antenna
- Up to Max. 20dBm Output Power
- AP, Repeater, WDS, WDS+AP, Client Infrastructure, WISP Router, AP Router
- R-SMA Female Connector for External Antenna
- Passive PoE Powered
- Support Wireless Access Control, Client Isolation



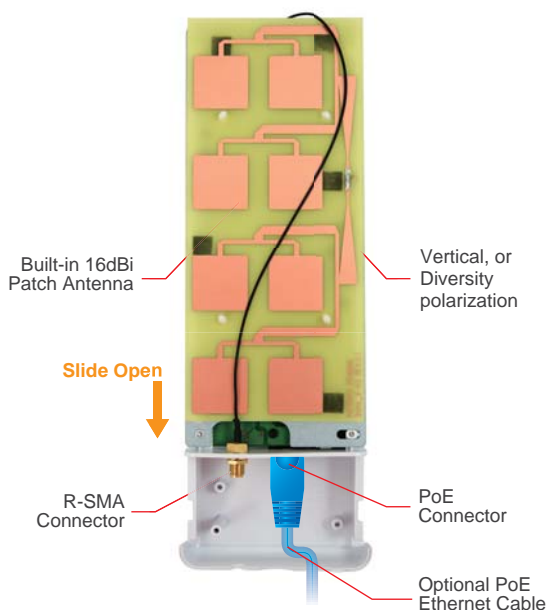
The AirLive AirMax5N is the new generation of all-in-one wireless 5GHz CPE built to the highest standard. It greatly surpasses the competitions in value, feature, performance, and reliability. If you are looking for a cost effectively way to build your wireless outdoor network that can withstand the test of time. Look no further, AirMax5N is the first choice.

Simple All-In-One Solution

The AirMax5N comes with almost everything you need to build 5GHz outdoor connection instantly. The CPE enclosure is built with high grade anti-UV materials for protection from prolonged sunshine and rain. It includes an integrated 16dBi 5GHz antenna with vertical, or diversity polarization. The internal PCBA slides out for easy maintenance. The built-in advanced passive Power over Ethernet is for the deployment of the PoE network environment

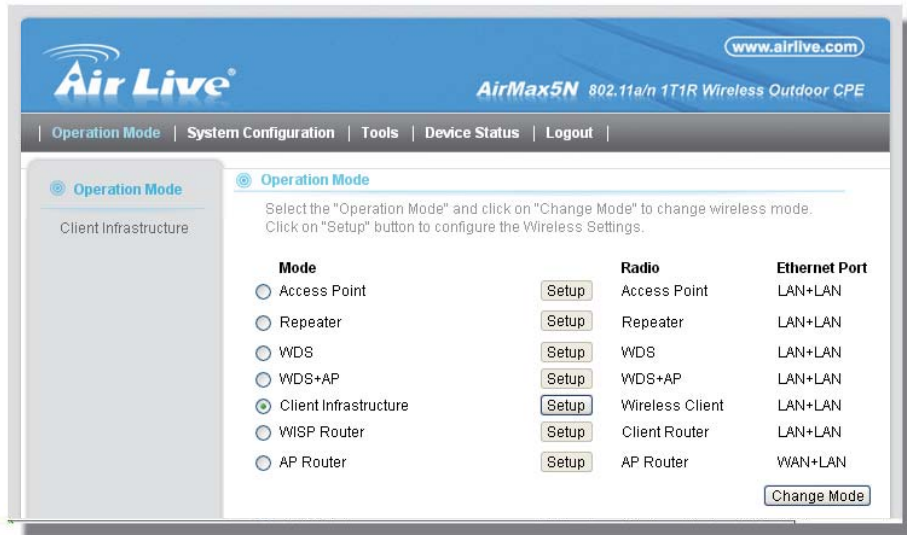
Long Distance

With the integrated directional antenna and high performance 150Mbps 11n radio, the AirMax5N can reach long distance using the built-in antenna. AirMax5N is also equipped with R-SMA connector. You simply connect a hi-gain external antenna to the R-SMA port. You can choose the CPE to use Vertical, Horizontal, or external antennas from the web interface. It really is that versatile and simple.



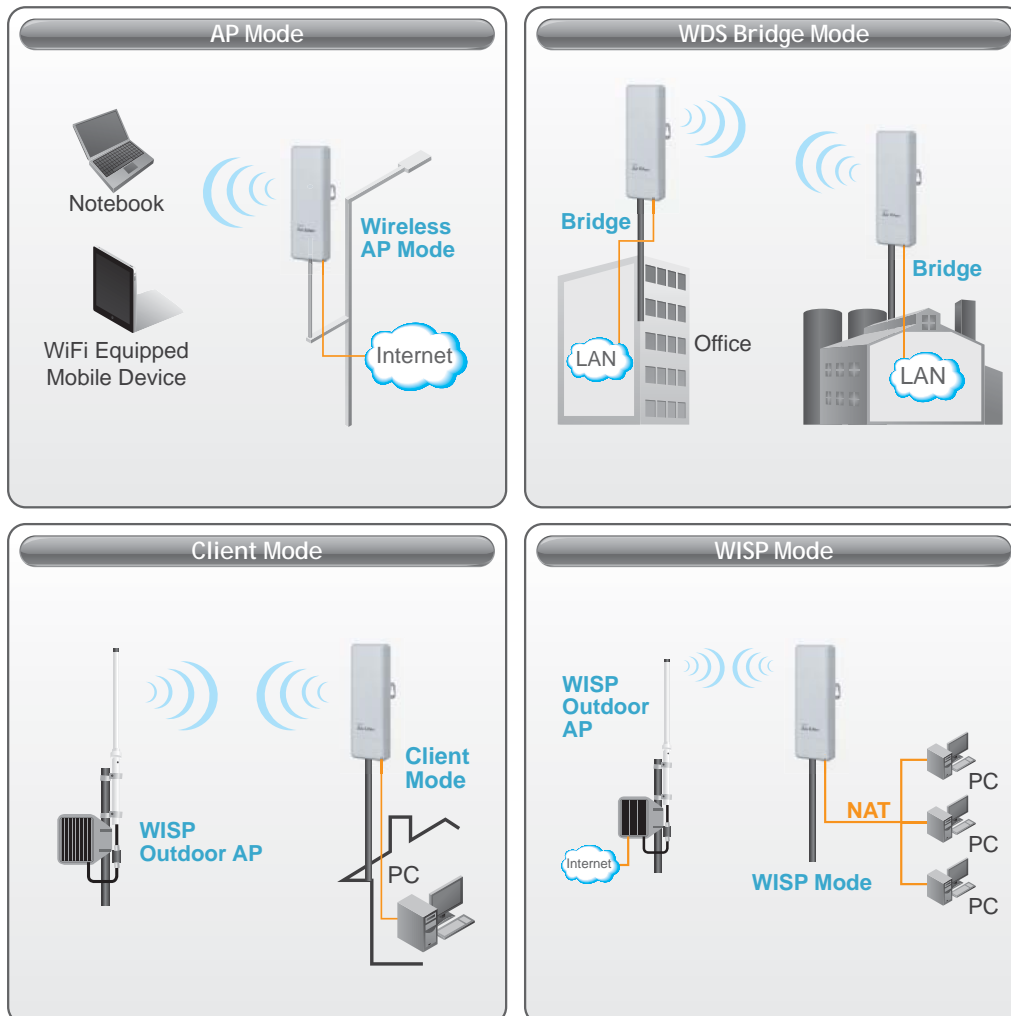
Maximum Performance

Despite of its compact size, the AirMax5N is packed with full performance hardware and software. The long distance radio provide longer distance and better signal than the competition.



Multiple Operation Modes

The AirMax5N can function as an AP, Repeater, WDS, WDS+AP, Client Infrastructure, WISP Router or AP Router. Therefore, you can instantly transform the CPE to different wireless applications. With the new AirLogic interface, the web configuration is much more user friendly than before. You simply start by selecting a wireless mode, the AirMax5N will display only options available in that wireless mode. No more guessing and experimenting.



Bandwidth Management

The AirMax5N provides the capability to control total connection or per user's bandwidth. Therefore, the WISP operators can offer different class of connection speeds for different subscription fees – just like the ADSL service!

Easy Configuration

The AirMax5N is built for easy configuration and installation. It is a product without compromises with AirLive's legendary reliability. What more could you ask for? Buy one for your network today.

Standard Accessories



Power Adapter



Plastic Straps x 1



PoE DC Injector



CD



QIG

Specifications

Hardware

- 1T1R Wireless 802.11 a/n Standard
- 2 x 10/100 Ethernet Port with one Passive PoE port
- 4MB Flash, 32MB SDRAM
- 12V Passive PoE (accept up to 18V)
- Reset Button on PoE Injector

Antenna

- Built-in Directional Antenna: 16dBi
- External (Optional): R-SMA Female Connector

Frequency Band

- 5.745GHz to 5.825GHz (FCC)

Modulation Technology

- 802.11a/n Orthogonal Frequency Division Multiplexing (OFDM)

Data Rate

- 802.11a: up to 54Mbps
- 802.11n (20MHz): up to 72Mbps
- 802.11n (40MHz): up to 150Mbps

Power Supply

- Power Adapter: 12V/1A
- Advance Passive PoE (Accept 12 to 18 volts)
- POE Adapter, DC Injector provided
- POE port built-in on the PCB

Media Access Control

- CSMA/CA

Sensitivity

- 90dBm@802.11a
- 88dBm@802.11n

Output Power

- Up to 20dBm Max(Limited According to Regulations in EU)

Mode

- AP, Repeater, WDS, WDS+AP, Client Infrastructure, WISP Router, AP Router

Security

- 64/128bit WEP
- WPA (TKIP with IEEE 802.11x)
- WPA2 (AES with IEEE 802.11x)

Software

- Site Survey with RSSI Signal Survey
- User Friendly Web Management
- Channel list selection
- Support adjustable output power
- WEP over WDS support
- Low Noise Amplifier (LNA) support
- AP, Bridge, Client, Router, WISP Modes
- Support DHCP Server, Client and Relay
- Support Wireless Access Control, Client Isolation
- Support Virtual Server, DMZ, Port Forwarding
- Support Dynamic, Static IP, PPPoE, PPTP and L2TP
- QoS bandwidth management
- Firewall, IP, Port, MAC and URL filtering
- Support L2TP, IPSec, and PPTP VPN Pass through
- Firmware upgrade and configuration backup via Web UI

Temperature

- Operating: -4~158°F (-20~70°C)

Certificate

- FCC, CE

Product Size (L x W x H (mm))

- 220 x 80 x 35 mm

Ordering Information:

AirLive AirMax5N	802.11a/n 1T1R Wireless Outdoor CPE, ETSI
	802.11a/n 1T1R Wireless Outdoor CPE, FCC
	802.11a/n 1T1R Wireless Outdoor CPE, South America